

CRB200 SERIES

Boxed Brass Padlocks for Corbin / Russwin IC Cylinders

SPECIFICATIONS

Body: Extruded brass
Locking: Ball bearing heel and toe
Body width: 2"
Body height: 2"
Shackle: Stainless steel
Finish: BHMA 606 Satin Brass (US4)

CYLINDER INFORMATION

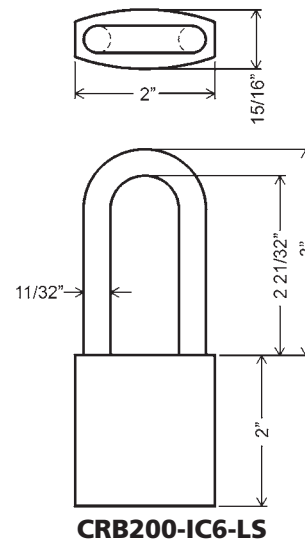
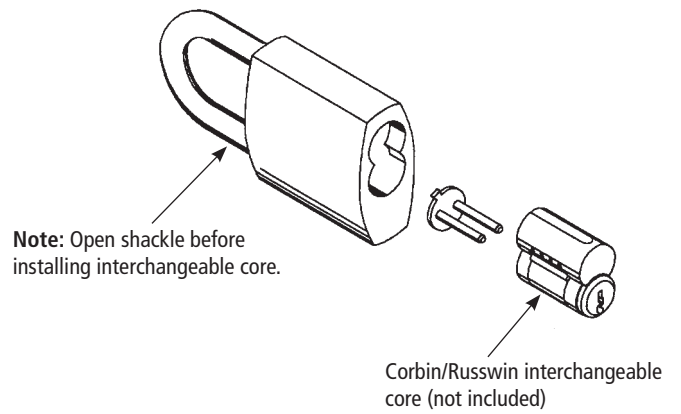
Cores: Not included
Accepts: Corbin/Russwin 6-pin interchangeable core cylinders
Standard function: Key removable in locked or unlocked position

REGULAR SHACKLE

Shackle opening: 7/8"
Packed: Each
Weight each: 0.68 lbs.

LONG SHACKLE

Shackle opening: 2-5/8"
Packed: Each
Weight each: 0.78 lbs.



Part #	Shackle
CRB200-IC6	Regular
CRB200-IC6-LS	Long

